



SPOKANE
INTERNATIONAL AIRPORT

Airport Administrative Offices Renovation

Project No. 18-49-1916

RFQ Informational Meeting

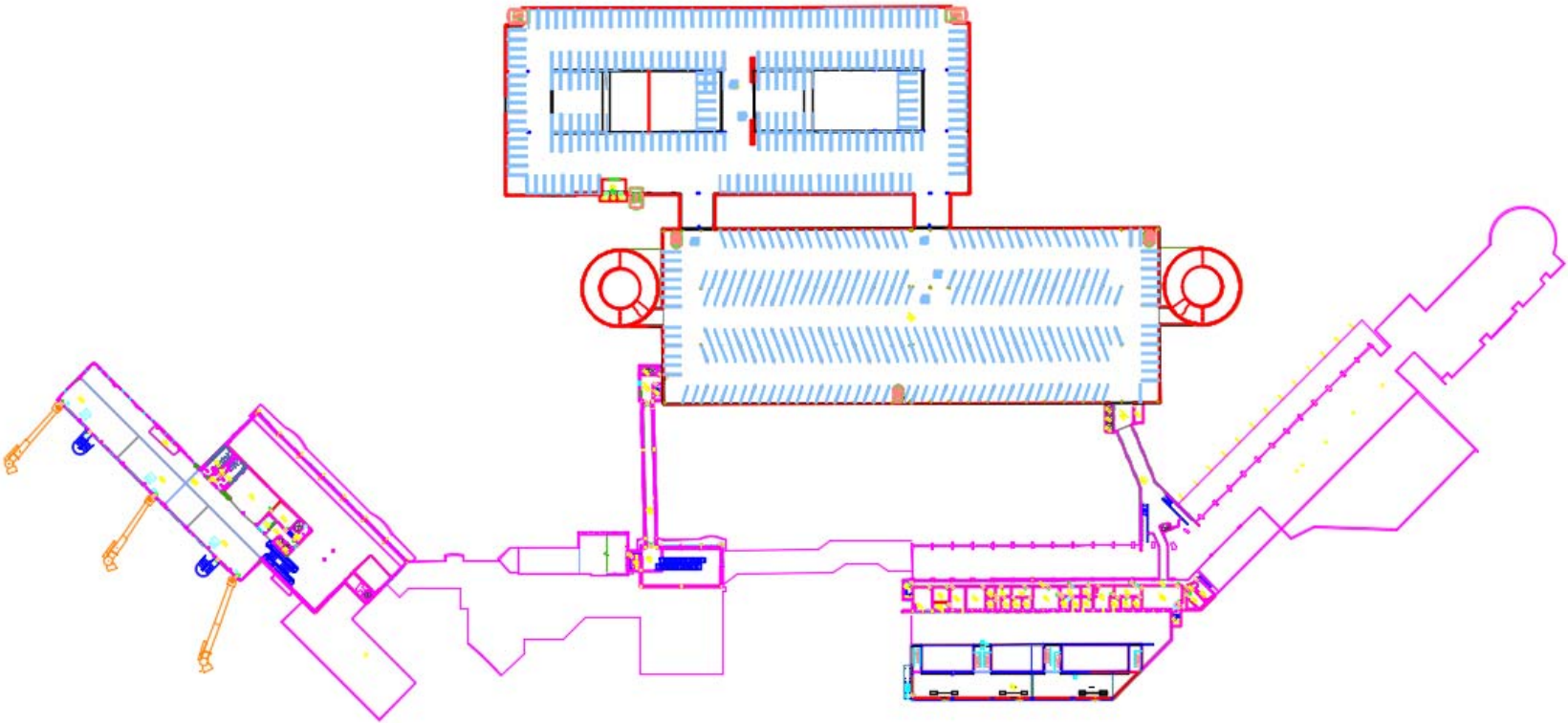
February 13, 2018





SPOKANE
INTERNATIONAL AIRPORT

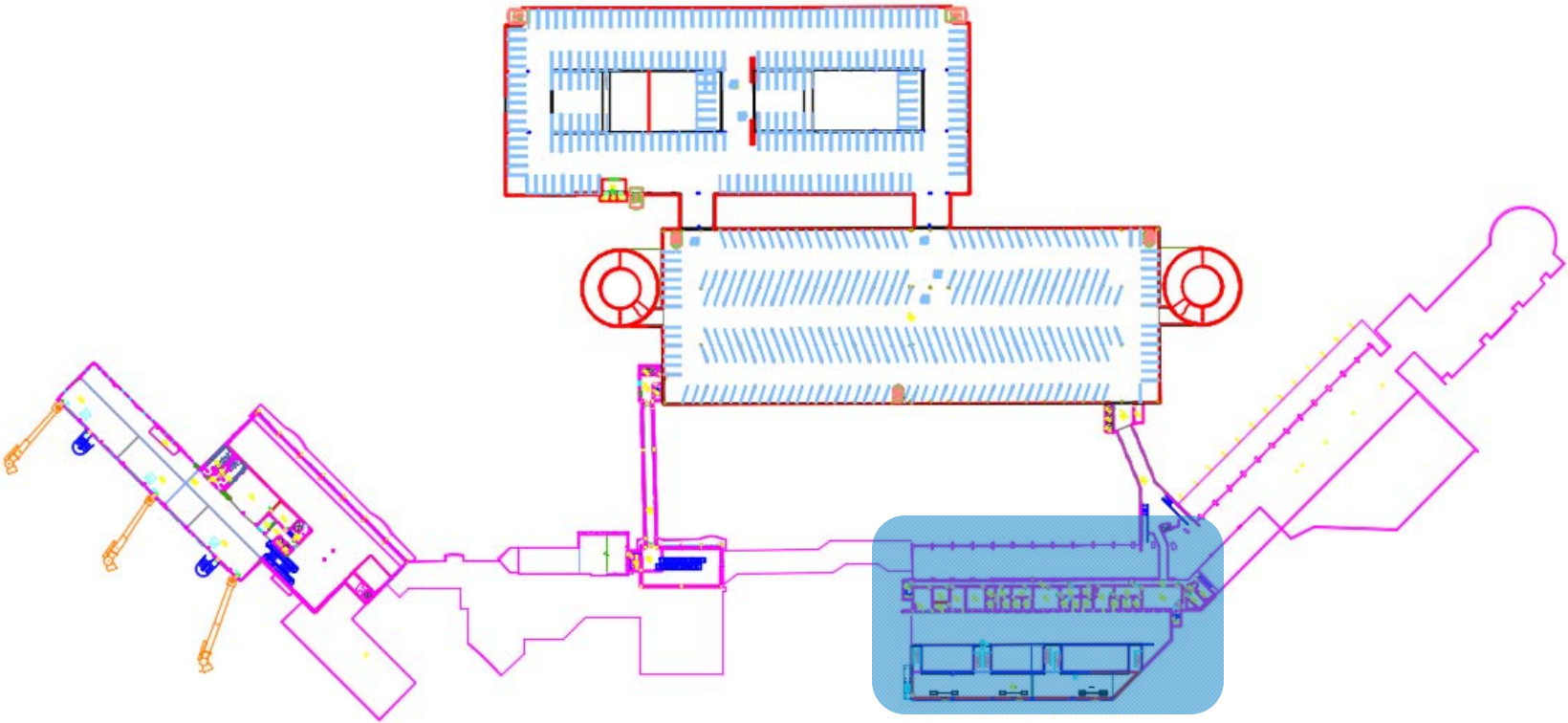
Airport Administrative Offices Renovation





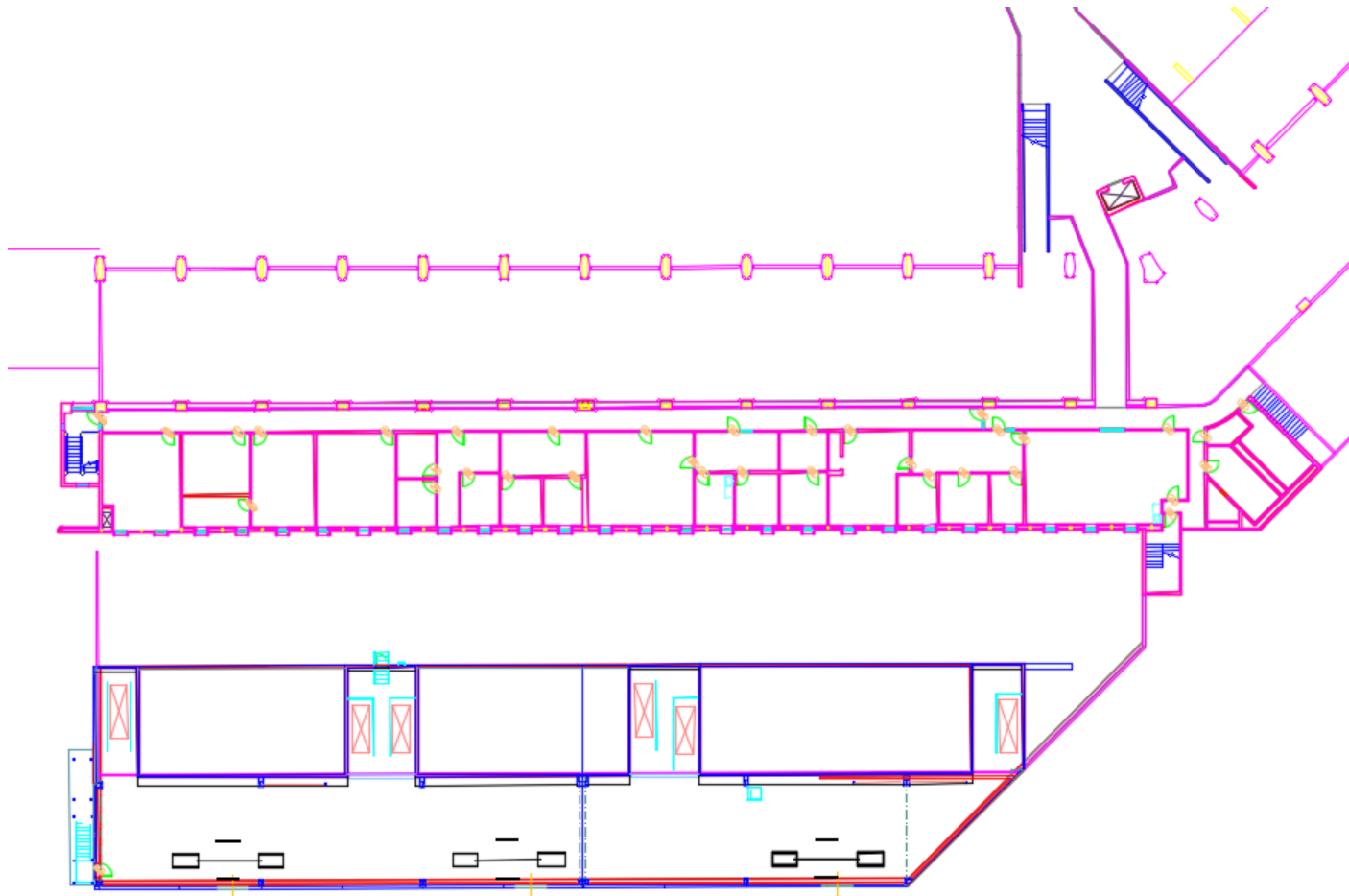
SPOKANE
INTERNATIONAL AIRPORT

Airport Administrative Offices Renovation



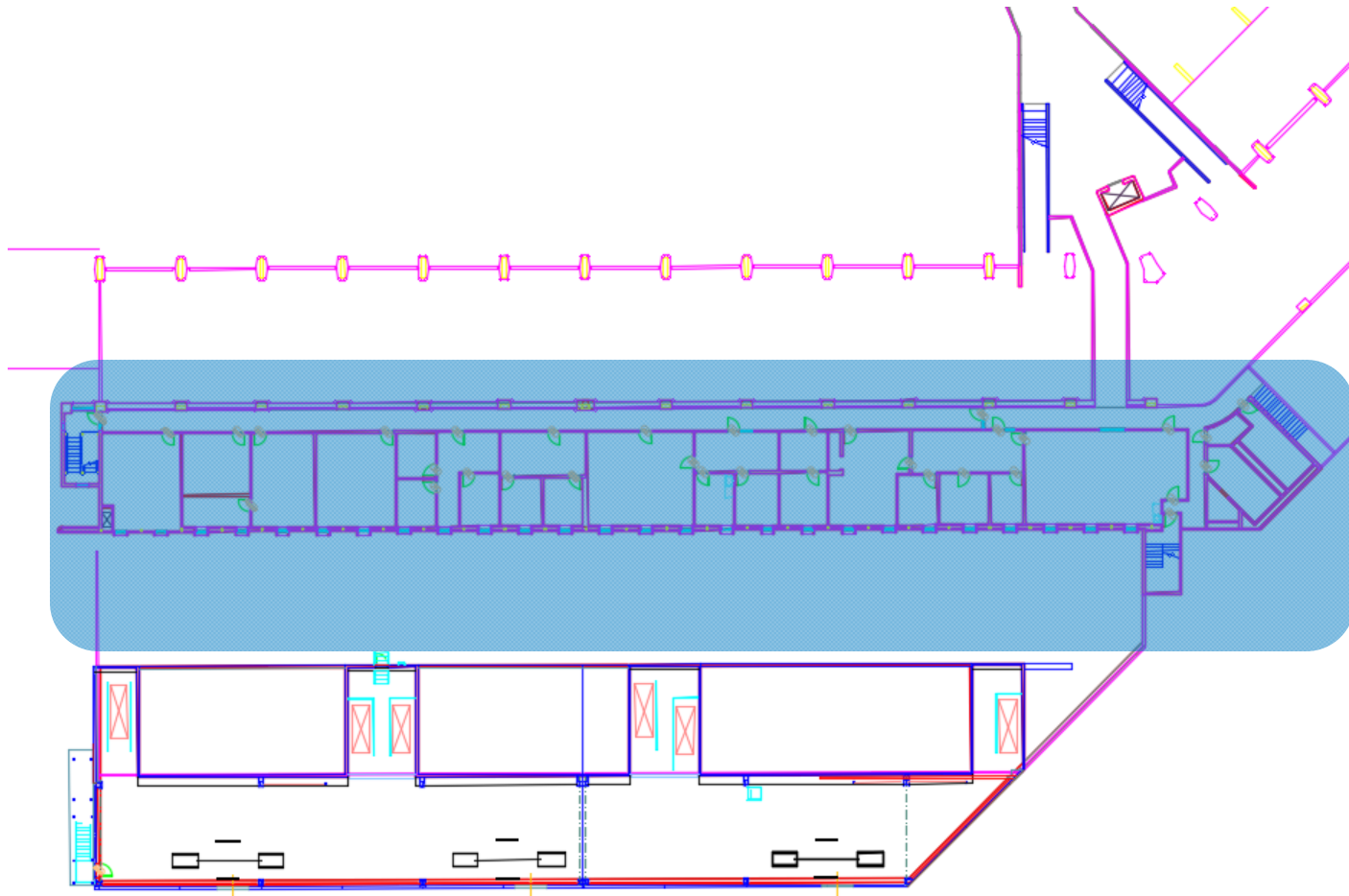


Airport Administrative Offices Renovation





Airport Administrative Offices Renovation



Scope of Work Elements

- Performing a Good Faith Survey
- Evaluating Existing Spaces and Potential Expansion Areas
- Planning and Programing the Use of Spaces
- Developing Alternatives/Conceptual Layouts
- Interior Finishes
- Cost Estimating
- Prepare Construction Documents

Informational Items

- SOQs will be received by the Spokane Airport Board no later than 2:00 p.m. on Friday, February 23, 2018 (4 copies, 1 TD).
- Follow submittal requirements and format as identified in RFQ.
- Questions shall be directed to lcocoran@spokaneairports.net.
- Firms are advised to familiarize themselves with the Airport's PSA and be prepared to accept without modification to the terms and conditions contained therein. The selected consultant will be expected to execute the Airport's PSA.
- It is anticipated the PSA will be awarded by the Spokane Airport Board at its April 26, 2018 Board Meeting.



Questions?



SPOKANE
INTERNATIONAL AIRPORT

Thank You!



SPOKANE INTERNATIONAL AIRPORT

Airport Administration Offices Renovation, #18-49-1916

Non-Mandatory Project Information Meeting

Tuesday, February 13, 2018 at 1:00 p.m.

Name	Company	Phone / Cell	Email Address
JASOU GAMACHE	MCG	907-231-1117	JGAMACHE@MCGPACIFIC.COM
JONATHAN WILSON	KPG	425 509.442.3274	JONATHAN@KPG.COM
Amanda Johnson	Fulcrum Env. Cons.	509.768.1033	ajohnson@efulcrum.net
Brandon Crane	FSi consulting	509-413-7320	brandonc@fsi-engineers.com
Marci Schreiber	ZBA	509-448 ⁴⁵⁶ .8236	schreiber@zbaarchitecture.com
Taryn Perry	TRINDERA	509.869.0330	tperry@trindera.com
JEFFREY WARNER	ALSC ARCHITECTS	509 838 8568	jwarner@alscarchitects.com
Aaron Whiting	Trindera	509 435 4013	awhiting@trindera.com
Dean Gable	Hill Intl.	509-747-8031	deangable@hillintl.com
RANDY CAMERON	BAKER C+D	509-535-3668	RCAMERON@BAKER CONSTRUCT.COM
Charles Zandbergen	WAG	509-455-6999	czandbergen@wagarch.com
Brynn Knudsen	WAG	509-455-6999	bknudsen@wagarch.com

Please print clearly